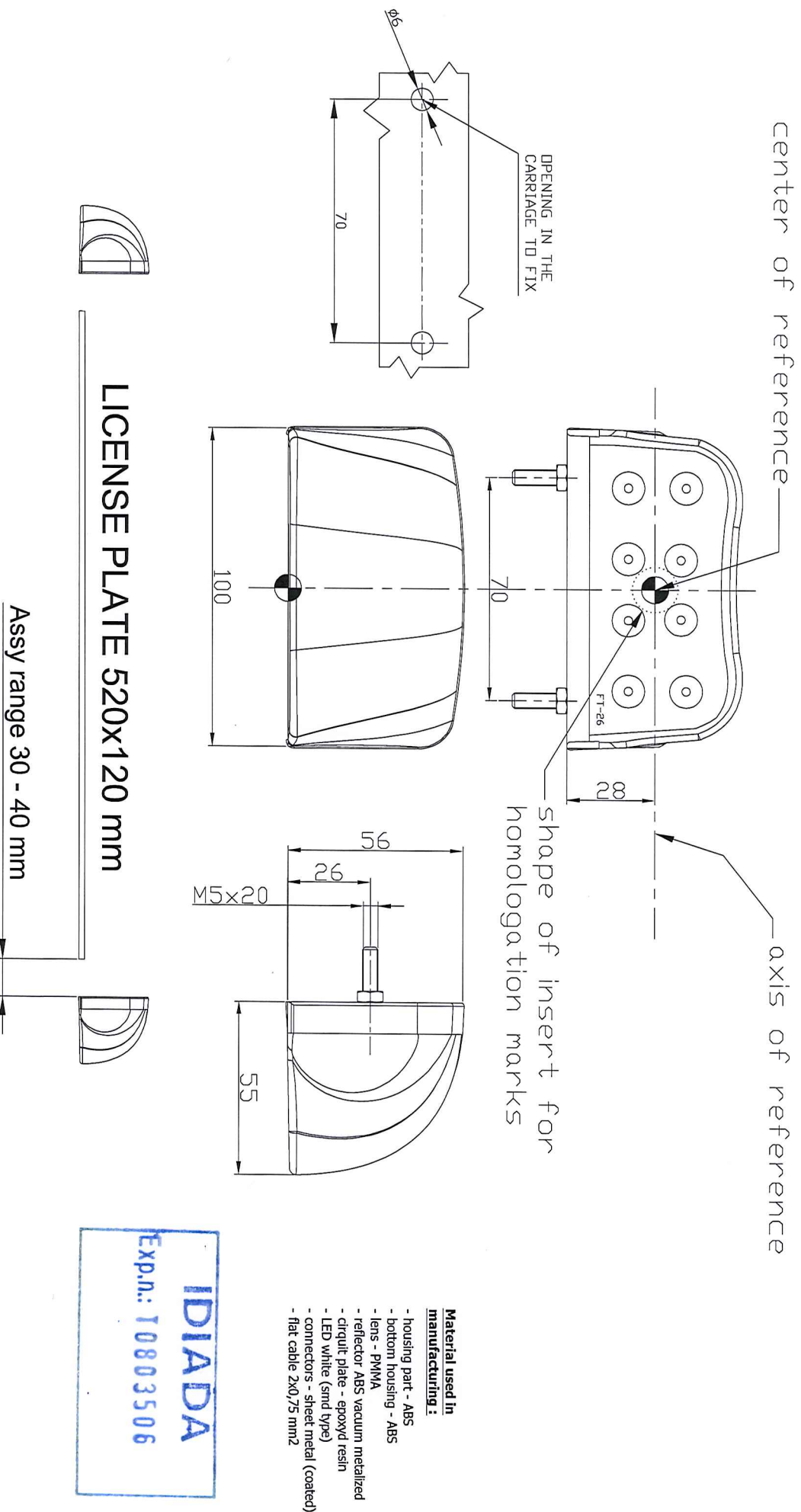


LICENSE PLATE LIGHT FT-26

Side marking lamp - lens colour red and white
LIGHT SOURCE LED SMD mounted (3pcs) - Voltage 12-30 V / any polarisation possible



This drawing is a part of the application for approval