



COMUNICACIÓN / COMMUNICATION:

Concerniente a (1): LA CONCESIÓN DE HOMOLOGACIÓN LA EXTENSIÓN DE HOMOLOGACIÓN LA DENEGACIÓN DE HOMOLOGACIÓN LA RETIRADA DE HOMOLOGACIÓN EL CESE DEFINITIVO DE PRODUCCIÓN
Concerning (1): APPROVAL GRANTED APPROVAL EXTENDED APPROVAL REFUSED APPROVAL WITHDRAWN PRODUCTION DEFINITELY DISCONTINUED

de un tipo de luz especial de aviso para automóviles en aplicación del Reglamento N° 65. of a type of special warning lamp for motor vehicles, pursuant to Regulation No.65.

Nº de homologación / Approval No.: E9*65R00/11*6733*00

Extensión Nº / Extension No.: ---

- 1. Luz especial de aviso / rotativa / luz estacionaria intermitente / luz direccional intermitente / barra completa / media barra / azul / amarillo auto / rojo (1) / Special warning lamp / rotating / stationary flashing lamp / directional flashing lamp / complete bar / half bar / blue / amber / red (1)
2. Luz especial de aviso con un / dos nivel(es) de intensidad (1) / Special warning lamp has one / two level(s) of intensity (1)
Luz especial de aviso formada por --- unidades separadas / Special warning lamp consists of --- separate units
3. Para las luces especiales de aviso con dos niveles de intensidad, sistema empleado para obtener intensidad reforzada de día / For special warning lamps having two levels of intensity, indicate the system used to obtain increased intensity at daytime: ---
4. Fuente de luz utilizada / Used light source:
- categoría de lámpara de incandescencia / category of filament lamp: sí / yes - no / no (1)
- lámpara de descarga de gas / gas discharge light source: sí / yes - no / no (1)
- LED: sí / yes - no / no (1)
- Módulo de fuente de luz / Light source module: sí / yes - no / no (1)
Código específico de identificación del módulo de fuente de luz / Light source module specific identification code: ---
5. Tensión nominal de la luz especial de aviso / Rated voltage of special warning lamp: 12/24 V
6. Marca o denominación comercial / Trade name or mark: Fristom
Tipo / Type: FT-101 LED

(1) Táchese lo que no proceda / Strike out what does not apply





E9*65R00/11*6733*00

Página / Page 2/2



7. Nombre y dirección del fabricante / *Manufacturer's name and address:*
FRISTOM SPÓLKA Z OGRANICZONA
ODPOWIEDZIALNOSCIA SPÓLKA
KOMANDYTOWA
UL. PRZEMYSŁOWA 5, 86-014
85416 SICIENKO
SICIENKO (POLONIA)

Nota / *Note:* Este dispositivo puede ser fabricado en cualquiera de las Plantas de Fabricación que consten declaradas en el Anexo I del Certificado Conformidad Producción en vigor emitido por la UCA. / *This device may be manufactured in any of the Manufacturing Plants declared in Annex I of the Conformity Production Certificate in force issued by the UCA.*

8. En su caso, nombre y dirección del representante del fabricante / *If applicable, name and address of manufacturer's representative:* ---
9. Dispositivo presentado a homologación el / *Submitted for approval on:* 23/05/2022
10. Servicio técnico encargado de los ensayos de homologación / *Technical service responsible for conducting approval test:* IDIADA
11. Fecha del informe emitido por dicho servicio / *Date of report issued by that service:* 24/05/2022
12. Número del informe emitido por dicho servicio / *Number of report issued by that service:* PC21120004
13. Se concede/~~deniega~~/~~extiende~~/~~retira~~ la homologación ⁽¹⁾ / *Approval granted/refused/extended/withdrawn* ⁽¹⁾
14. Motivos de la extensión (en su caso) / *Reason(s) of extension (if applicable):* ---
15. Lugar / *Place:* Madrid
16. Fecha / *Date:* Ver firma electrónica / *See electronic signature*
17. Firma / *Signature:*

EL SUBDIRECTOR GENERAL DE CALIDAD Y SEGURIDAD INDUSTRIAL
Resolución P.D. del DIRECTOR GENERAL DE INDUSTRIA Y DE LA PYME de 25-10-2012
18. Se adjunta la lista de apartados que constituyen el expediente de homologación depositado en el servicio administrativo que ha concedido la homologación y que pueden ser obtenidos a petición. / *The list of documents deposited with the Administrative Service which has granted approval is annexed to this communication and may be obtained on request.*
- Informe del ensayo / *Test report*
 - Documentación suministrada por el fabricante / *Documentation supplied by the manufacturer*

⁽¹⁾ Táchese lo que no proceda / *Strike out what does not apply*



INFORMATION FOLDER:

FIRST APPLICATION
DATE:25.05.2022

1. Specification data

| | | |
|-----------------------------|--------------------------|--|
| Type | FT-101 LED | |
| Trade name or mark | Fristom | |
| Variants | See drawing | |
| Function | Special warning lamp TA1 | |
| Color | amber light color | |
| Rated | Voltage | 12/24V |
| | Wattage | Variant FT-101 LED and FT-101 DF LED 12V-18W ; 24V-20W , variant FT-101 RO LED 12V-6W ; 24V-6W |
| Applicable Regulation | R65 | |
| Light Source and connection | See drawing | |
| Location of marking | Light Source marks | See the drawing |
| | Trade mark | See the drawing |
| | Approval mark | See the drawing |

2. Construction and material


| Construction | Material | Remarks |
|--------------|----------------------------------|---------|
| Lenses | Defined on the technical drawing | -- |
| Reflectors | Defined on the technical drawing | -- |
| Bases | Defined on the technical drawing | -- |

3. Name and address of manufacturer:

FRISTOM Spółka z ograniczoną odpowiedzialnością Spółka komandytowa
86-014 Sicienko / Polska
ul. Przemysłowa 5
NIP: 5542926937, KRS: 0000529238
Tel.: +48 52 360 90 51, Fax: +48 52 327 75 41

4. REASON OF THE APPROVAL EXTENSION:

NOTE : APPROVAL MARKINGS ARE SHOWN IN THE ATTACHED DRAWING.
THIS INFORMATION FOLDER CONSISTS OF 1 PAGES



FRISTOM
Spółka z ograniczoną odpowiedzialnością Sp. k.
86-014 SICIENKO, ul. Przemysłowa 5
tel. 52 360 90 50
www.fristom.com.pl
NIP 5542926937 REGON 341640907

MICHAŁ DYBICZ

Manufacturer:

FRISTOM Spółka z ograniczoną odpowiedzialnością Sp.K.
 86-014 Sicienka / Polska
 ul. Przemysłowa 5
 NIP: 5542926937, KRS: 0000529238
 Tel.: +48 52 360 90 51, Fax: +48 52 327 75 41

**Drawn by:**

Michał Dybicz

Date:

24-05-2022

Sheet:

1 of 4

Type:**FT-101 LED****Special warning lamp class TA1****Light source:**

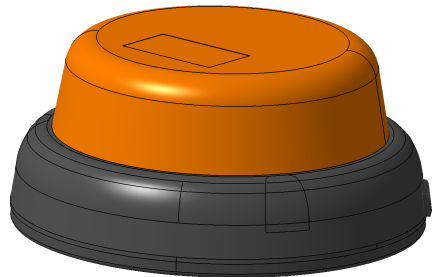
LED CHIP SMD chip mounted
 24 LED's amber light color

Description:**isometric lamp view / variants**

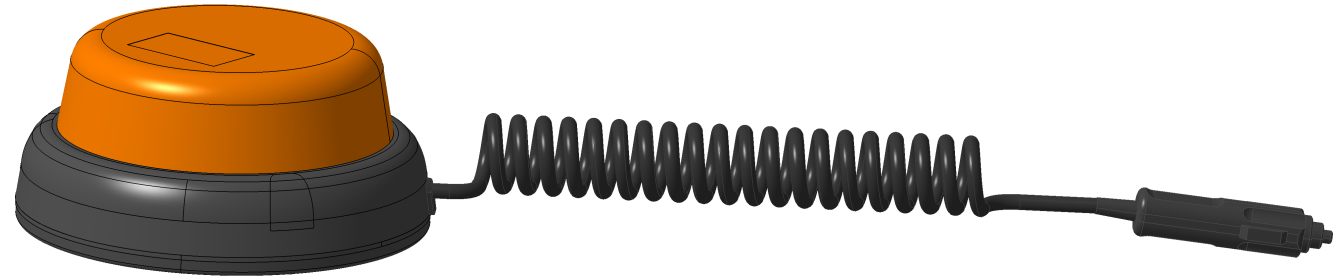
This drawing is a part of the application for approval

Material used in manufacturing :

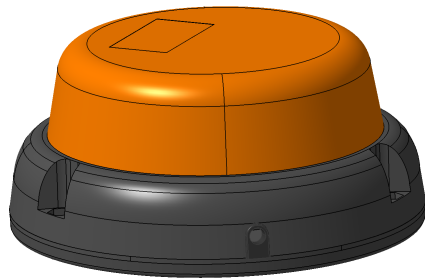
- lampshade / lens PC clear transparent amber
- housing ABS/PC black
- fitting ring ABS/PC black
- potting compound epoxy resin
- printed circuit board type FR4
- light source 20 amber LED's
- reflector PC or ABS PVD aluminum coated



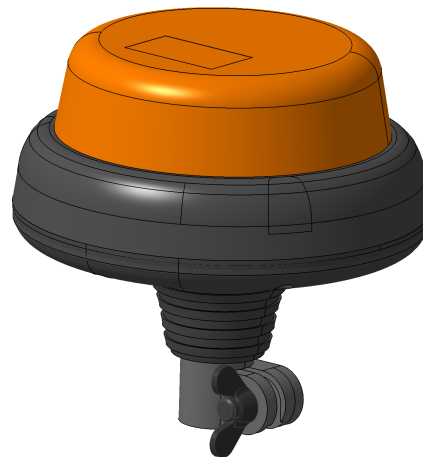
Isometric view
 Scale: 1:3



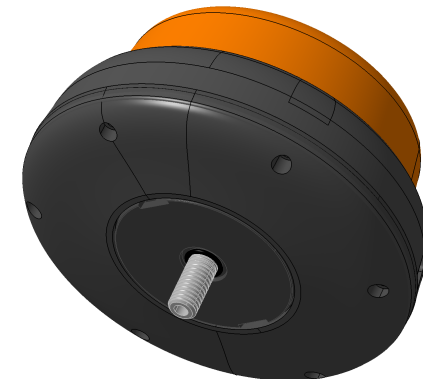
Isometric view
 Scale: 1:3



Isometric view
 Scale: 1:3



Isometric view
 Scale: 1:3



Isometric view
 Scale: 1:3

Manufacturer:

FRISTOM Spółka z ograniczoną odpowiedzialnością Sp.K.
86-014 Sicienka / Polska
ul. Przemysłowa 5
NIP: 5542926937, KRS: 0000529238
Tel.: +48 52 360 90 51, Fax: +48 52 327 75 41

**Drawn by:**

Michał Dybicz

Date:

24-05-2022

Sheet:

2 of 4

Type:**FT-101 LED****Special warning lamp class TA1****Light source:**

LED CHIP SMD chip mounted
24 LED's amber light color

Description:

**general drawing , light emitting areas,
assembly position**

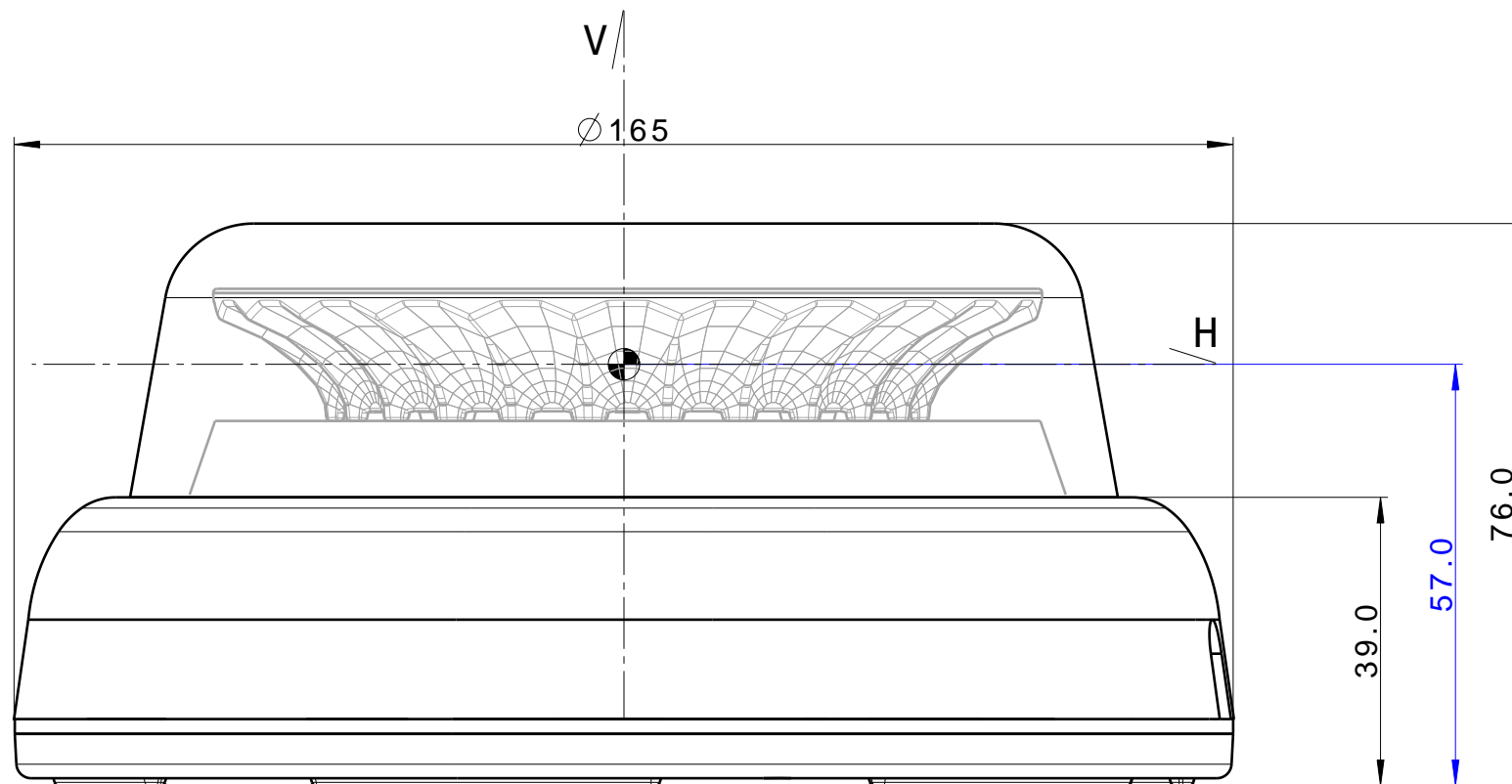
This drawing is a part of the application for approval

Material used in manufacturing :

- lampshade / lens PC clear transparent amber
- housing ABS/PC black
- fitting ring ABS/PC black
- potting compound epoxy resin
- printed circuit board type FR4
- light source 20 amber LED ,s
- reflector PC or ABS PVD aluminum coated

flashing patterns / variants
[f~2Hz]:

- variant FT-101 LED - single flash
- variant FT-101 DF LED - double flash
- variant FT-101 RO LED - rotating



vertical axis
of reference

horizontal axis
of reference

center of
reference

IDIADA PC21120004

Manufacturer:

FRISTOM Spółka z ograniczoną odpowiedzialnością Sp.K.
86-014 Sicienka / Polska
ul. Przemysłowa 5
NIP: 5542926937, KRS: 0000529238
Tel.: +48 52 360 90 51, Fax: +48 52 327 75 41

**Drawn by:**

Michał Dybicz

Date:

24-05-2022

Sheet:

3 of 4

Type:**FT-101 LED****Special warning lamp class TA1****Light source:**

LED CHIP SMD chip mounted
24 LED's amber light color

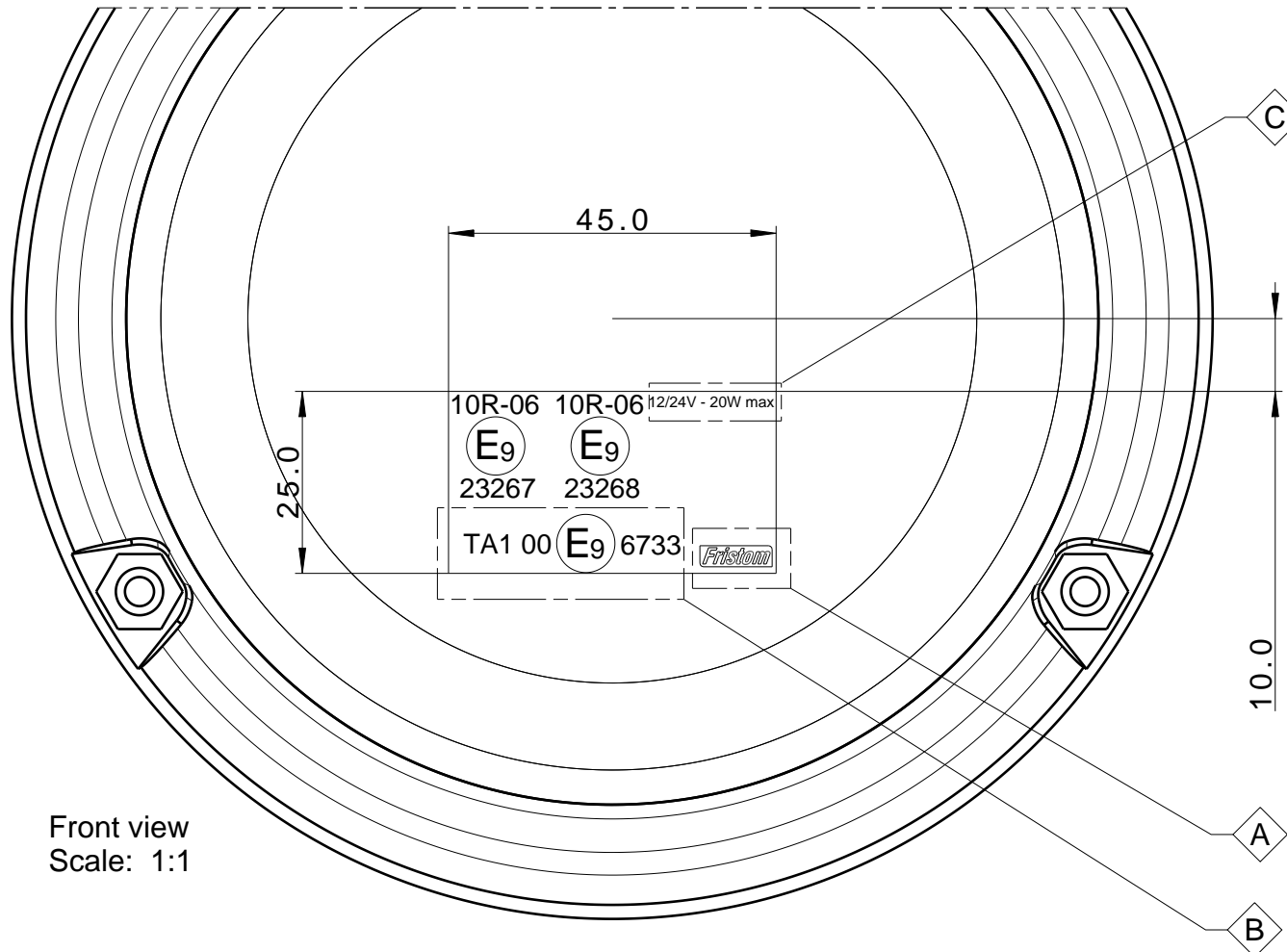
Description:

approval, trademark and electrical parameters markings
electrical connection of LED's

This drawing is a part of the application for approval

Material used in manufacturing :

- lampshade / lens PC clear transparent amber
- housing ABS/PC black
- fitting ring ABS/PC black
- potting compound epoxy resin
- printed circuit board type FR4
- light source 20 amber LED's
- reflector PC or ABS PVD aluminum coated



Front view
Scale: 1:1

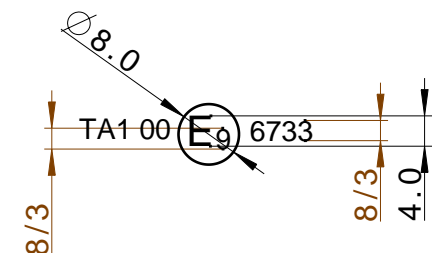
| | |
|---|---------------------|
| A | trademark location |
| B | approval numbers |
| C | electric parameters |

LED connection

3 LED's serial connected in 8 parallel sections

electrical data

variant FT-101 LED - 12/24V - 18/20W
variant FT-101 DF LED - 12/24V - 18/20W
variant FT-101 RO LED - 12/24V - 6/6W

approval mark dimensions

iDiADA PC21120004

Manufacturer:

FRISTOM Spółka z ograniczoną odpowiedzialnością Sp.K.
86-014 Sicienko / Polska
ul. Przemysłowa 5
NIP: 5542926937, KRS: 0000529238
Tel.: +48 52 360 90 51, Fax: +48 52 327 75 41



Drawn by: Michał Dybicz
Date: 24-05-2022
Sheet: 4 of 4

Type:**FT-101 LED****Special warning lamp class TA1****Light source:**

LED CHIP SMD chip mounted
24 LED's amber light color

Description:**variants / tradenames**

This drawing is a part of the application for approval

Material used in manufacturing :

- lampshade / lens PC clear transparent amber
- housing ABS/PC black
- fitting ring ABS/PC black
- potting compound epoxy resin
- printed circuit board type FR4
- light source 20 amber LED's
- reflector PC or ABS PVD aluminum coated

| variant | description |
|-----------------------|--|
| FT-101 3S DF LED | FT-101 3S DF LED Yellow LED warning beacon, double flash, mounted on 3 screws, cable's length 1.5 m. |
| FT-101 DF LED MAG M30 | FT-101 DF LED MAG M30 Yellow LED warning beacon, double flash, portable version mounted on a magnet pad. The lamp is equipped with a spiral cable (unfolded - 3 m, in spiral - 0.6 m) and a standard 12/ 24V lighter plug. |
| FT-101 DF LED MAG M78 | FT-101 DF LED MAG M30 Yellow LED warning beacon, double flash, portable version mounted on a magnet pad. The lamp is equipped with a spiral cable (unfolded - 3 m, in spiral - 0.6 m) and a standard 12/ 24V lighter plug. |
| FT-101 DF LED PI | FT-101 LED PI Yellow LED warning beacon, double flash. The lamp appears in a stationary version with a pipe-socket. |
| FT-101 SC DF LED | FT-101 3S DF LED Yellow LED warning beacon, double flash, mounted on central screw, cable's length 1.5 m. |
| FT-101 3S RO LED | FT-101 3S DF LED Yellow LED warning beacon, double flash, mounted on 3 screws, cable's length 1.5 m. |
| FT-101 RO LED MAG M30 | FT-101 DF LED MAG M30 Yellow LED warning beacon, double flash, portable version mounted on a magnet pad. The lamp is equipped with a spiral cable (unfolded - 3 m, in spiral - 0.6 m) and a standard 12/ 24V lighter plug. |
| FT-101 RO LED MAG M78 | FT-101 DF LED MAG M30 Yellow LED warning beacon, double flash, portable version mounted on a magnet pad. The lamp is equipped with a spiral cable (unfolded - 3 m, in spiral - 0.6 m) and a standard 12/ 24V lighter plug. |
| FT-101 RO LED PI | FT-101 LED PI Yellow LED warning beacon, single flash. The lamp appears in a stationary version with a pipe-socket. |
| FT-101 3S LED | FT-101 3S DF LED Yellow LED warning beacon, dsingle flash, mounted on 3 screws, cable's length 1.5 m. |
| FT-101 LED MAG M30 | FT-101 DF LED MAG M30 Yellow LED warning beacon, single flash, portable version mounted on a magnet pad. The lamp is equipped with a spiral cable (unfolded - 3 m, in spiral - 0.6 m) and a standard 12/ 24V lighter plug. |
| FT-101 LED MAG M78 | FT-101 DF LED MAG M30 Yellow LED warning beacon, single flash, portable version mounted on a magnet pad. The lamp is equipped with a spiral cable (unfolded - 3 m, in spiral - 0.6 m) and a standard 12/ 24V lighter plug. |
| FT-101 LED PI | FT-101 LED PI Yellow LED warning beacon, single flash. The lamp appears in a stationary version with a pipe-socket. |

iDiADA PC2112004